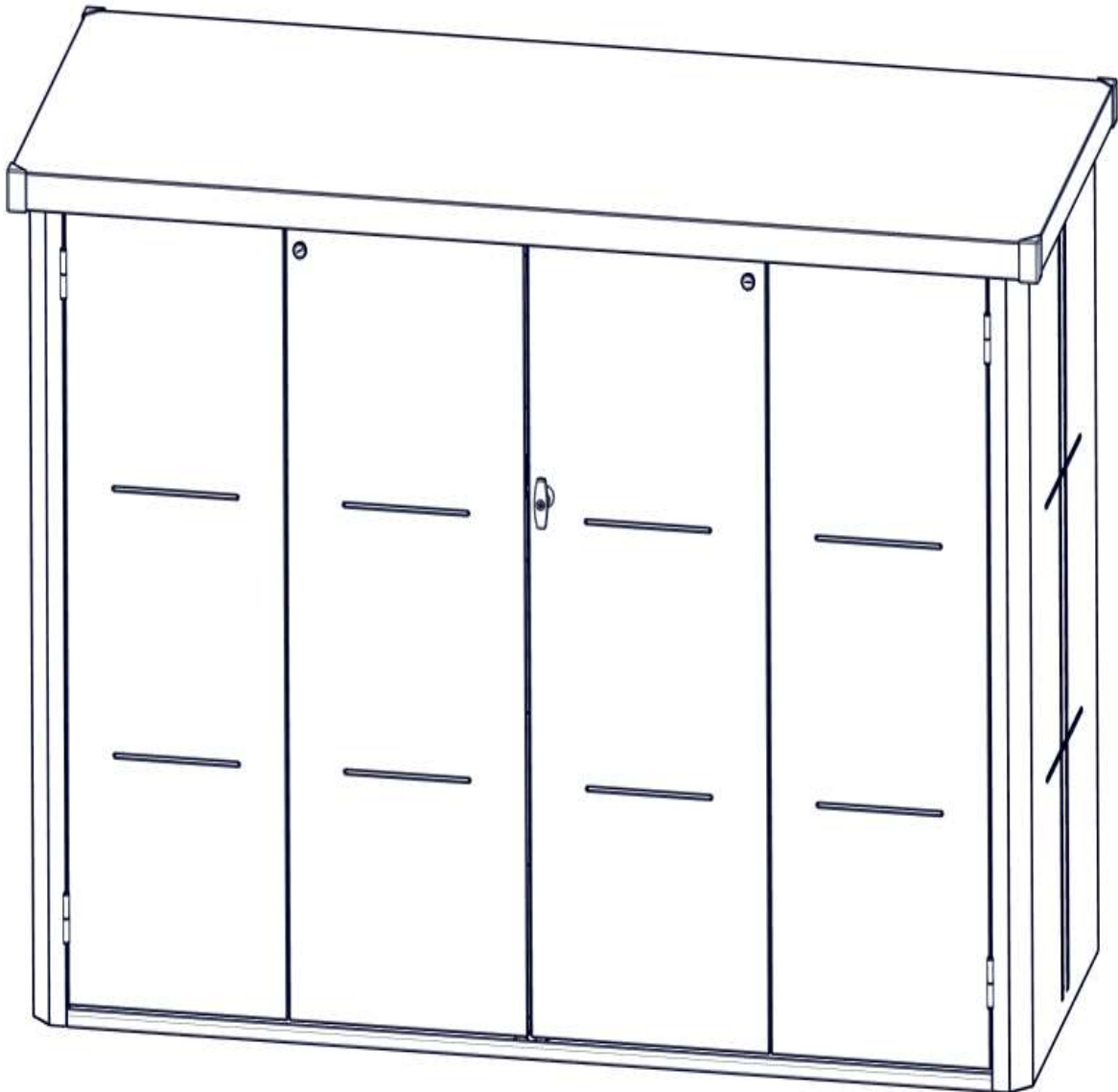


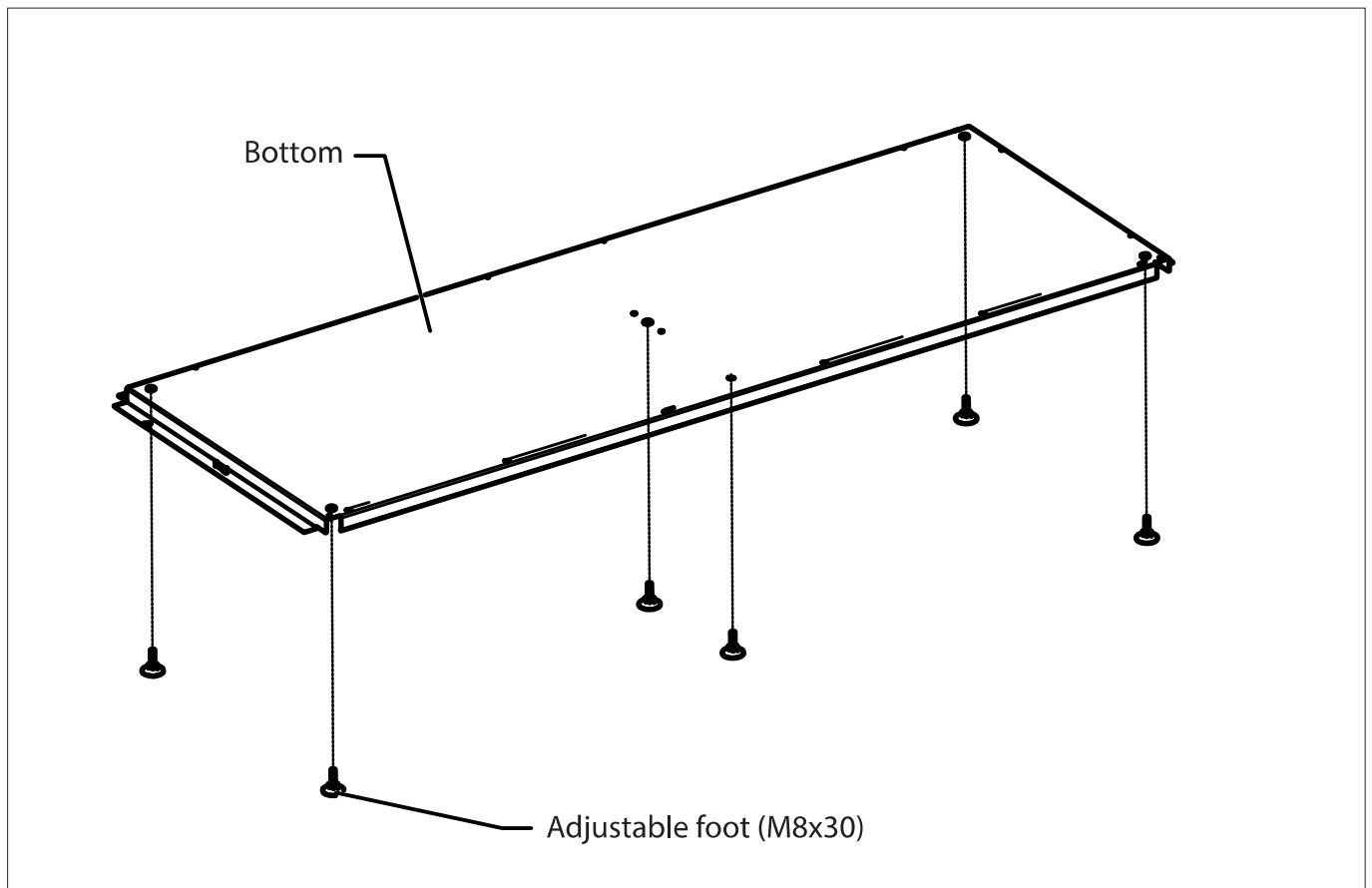
VELOTTO



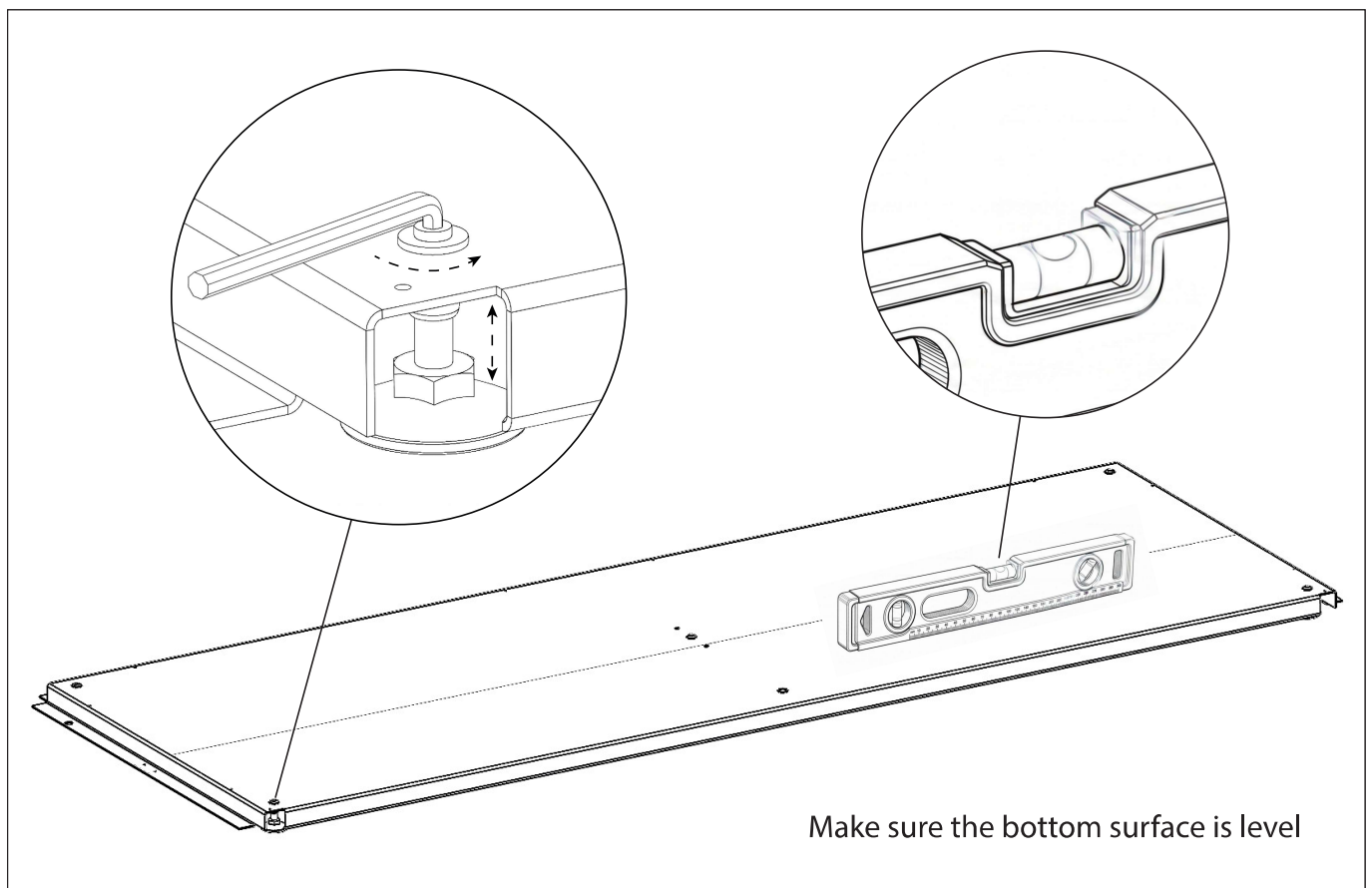
INSTRUCTIONS DE MONTAGE
MONTAGE HANDLEIDING
ASSEMBLY INSTRUCTIONS
MONTAGEANLEITUNG

telluria

LET US STEEL YOUR HEART

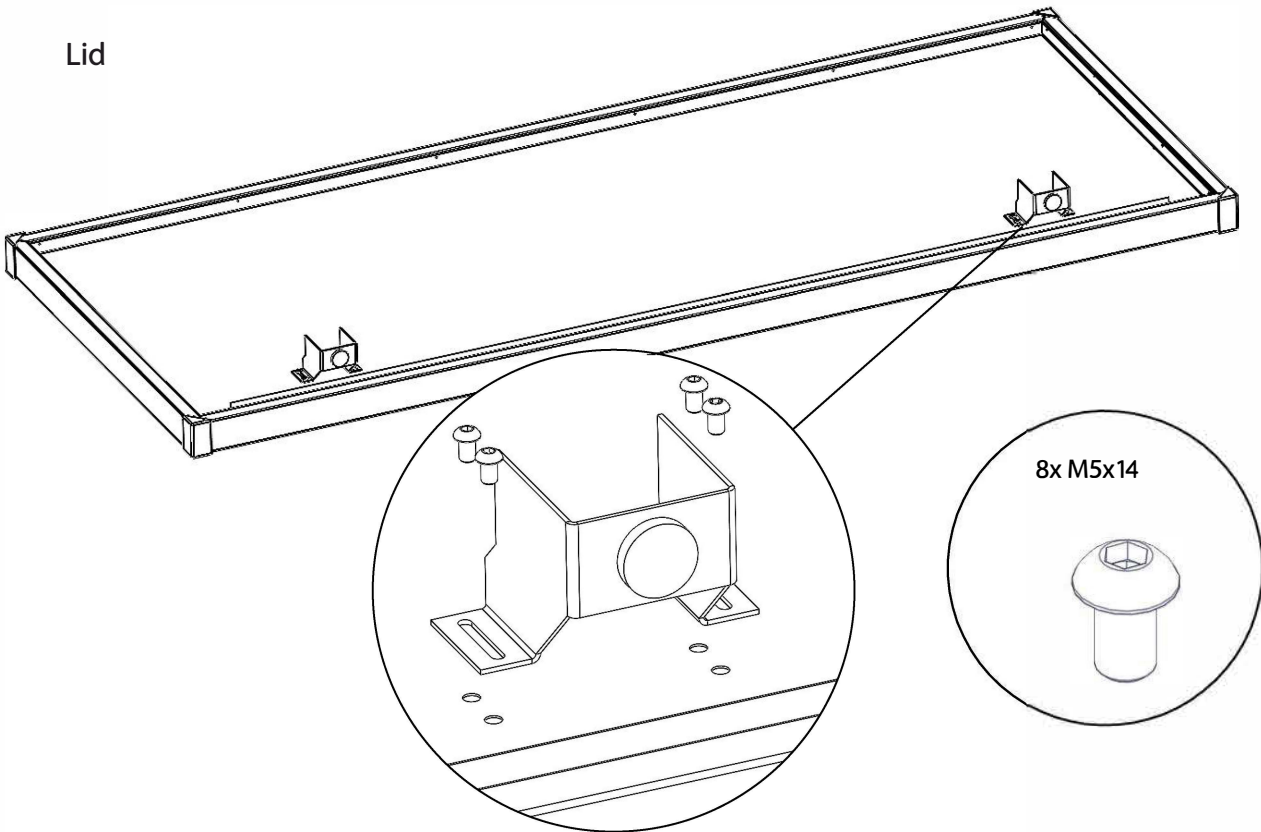


A VELOTTO



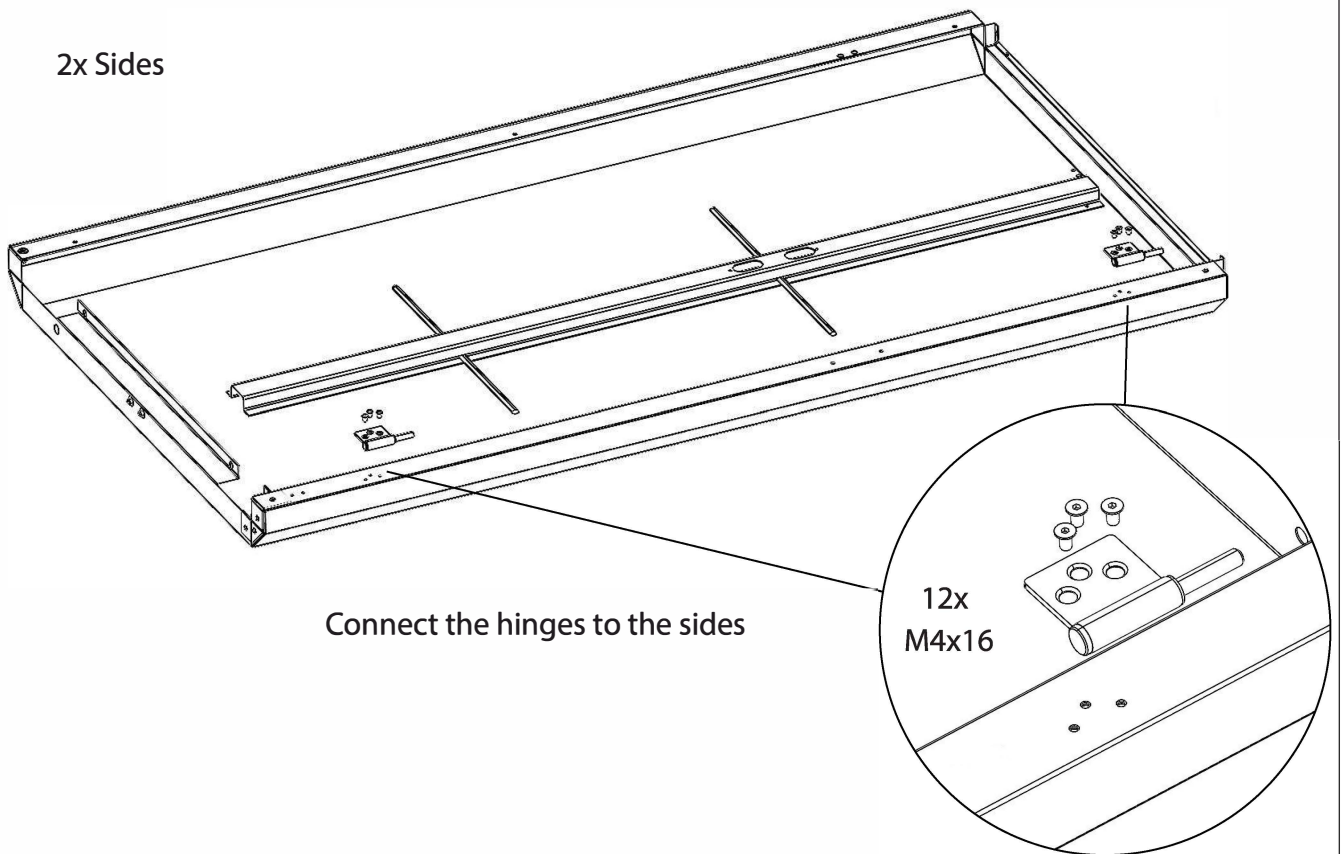
A VELOTTO

Lid



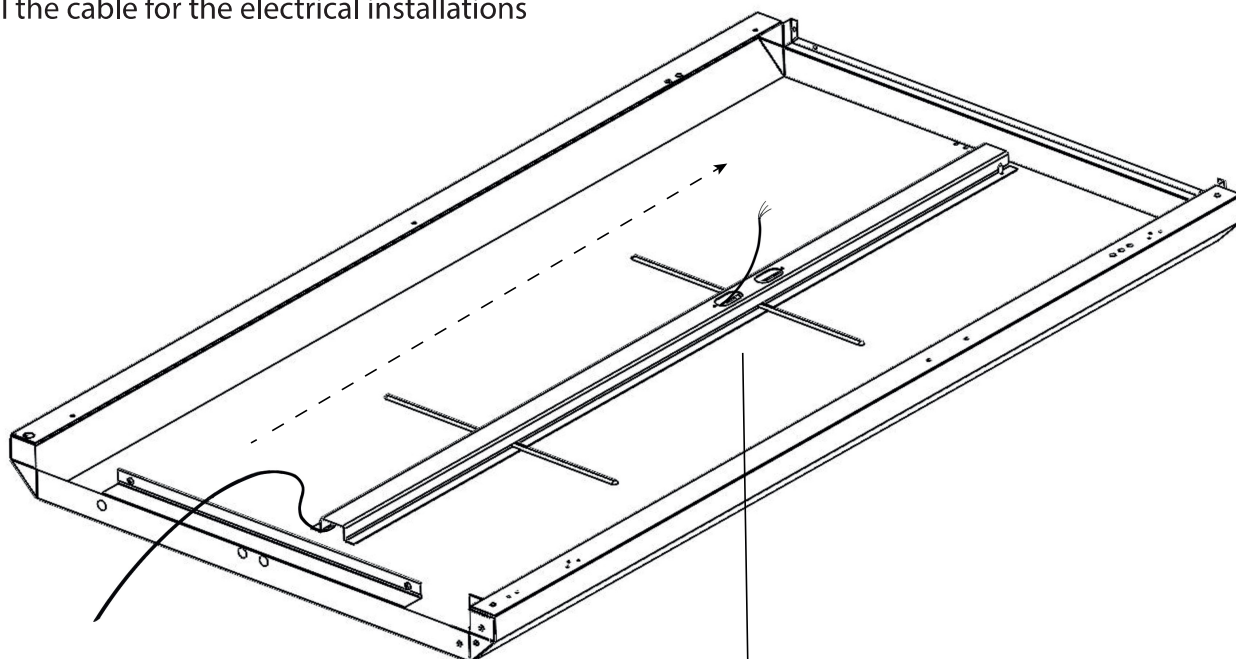
A VELOTTO

2x Sides

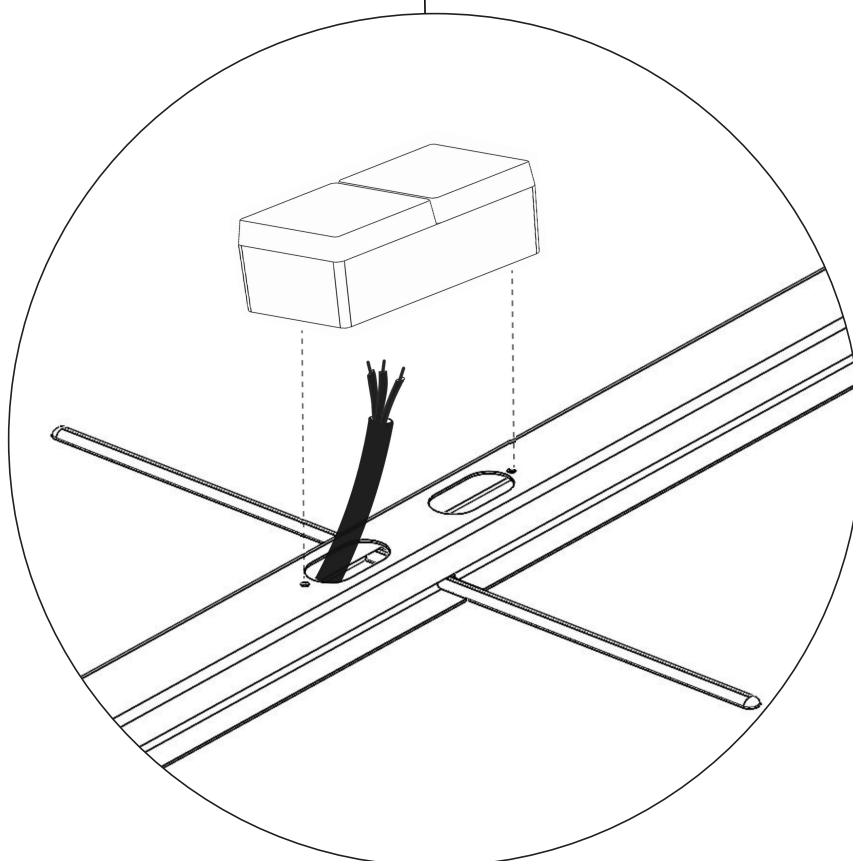


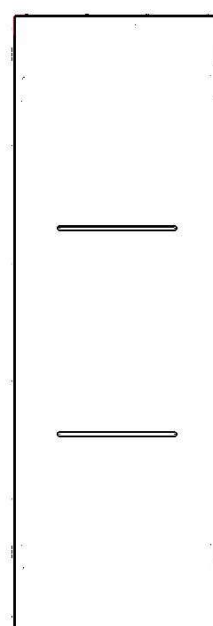
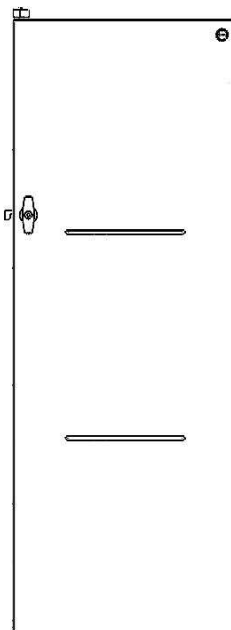
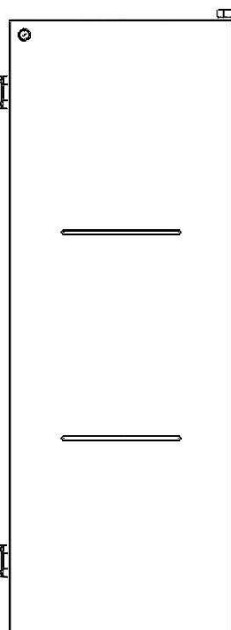
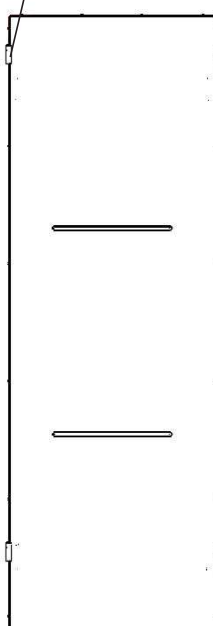
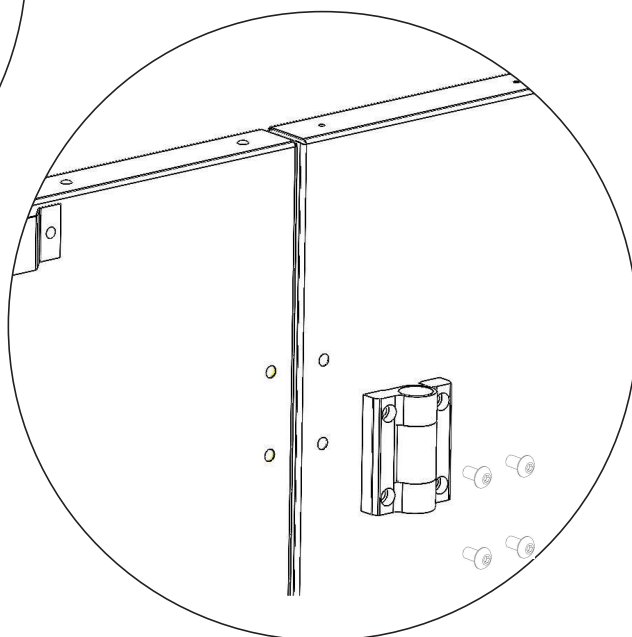
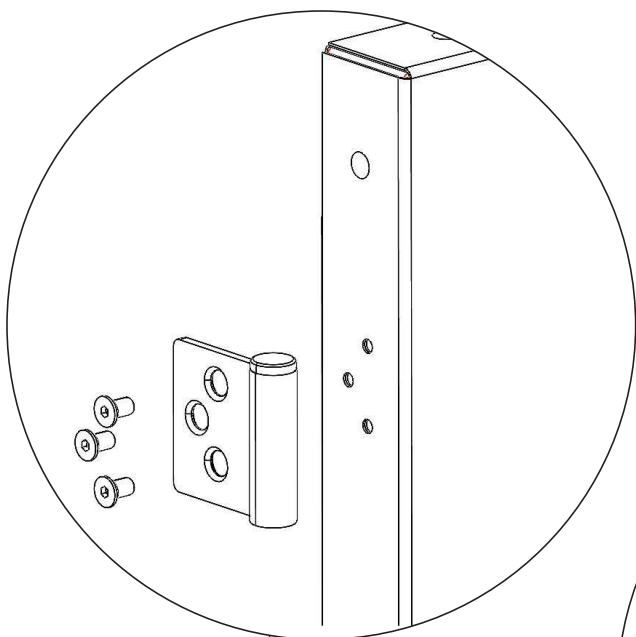
A VELOTTO

Pull the cable for the electrical installations



Install the power outlet





Door left outside

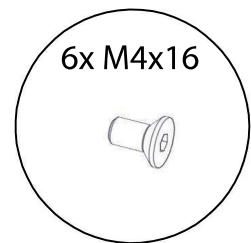
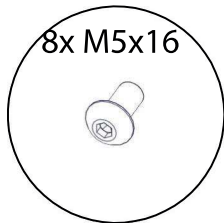
Door left inside

Door right inside

Door right outside

Door left inside

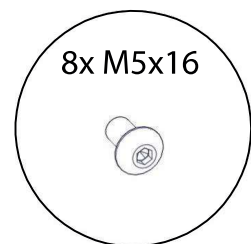
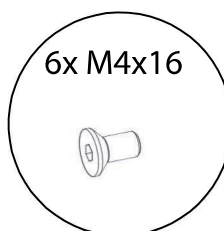
Door left outside



A VELOTTO

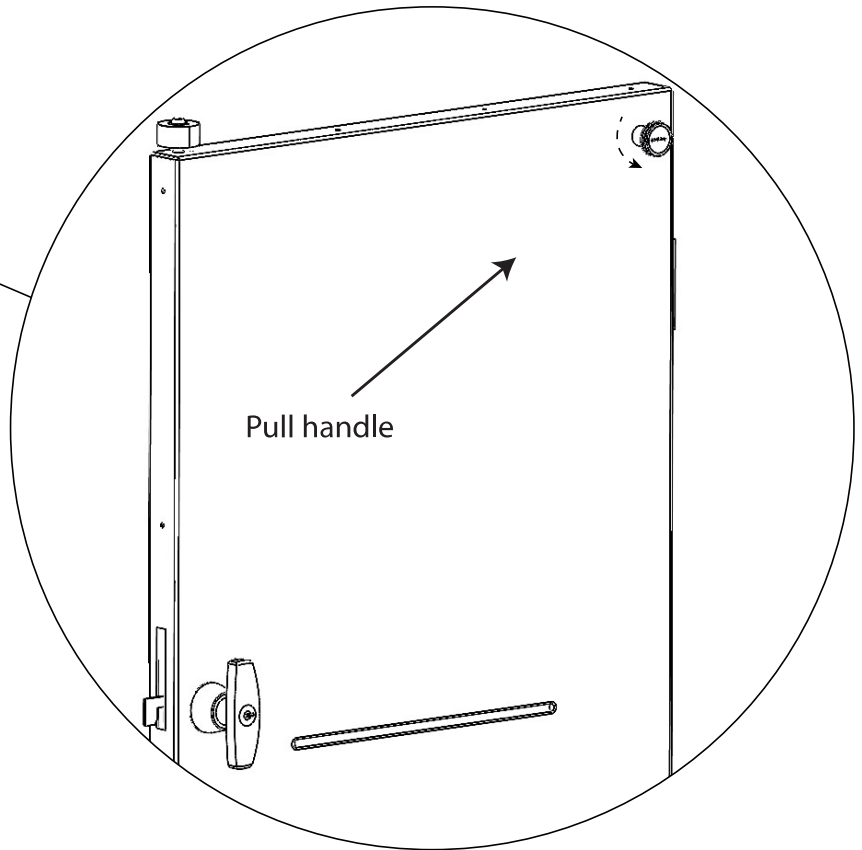
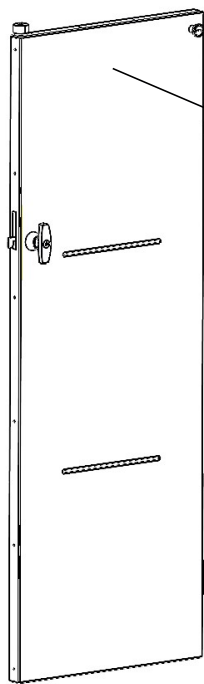
Door right outside

Door right inside

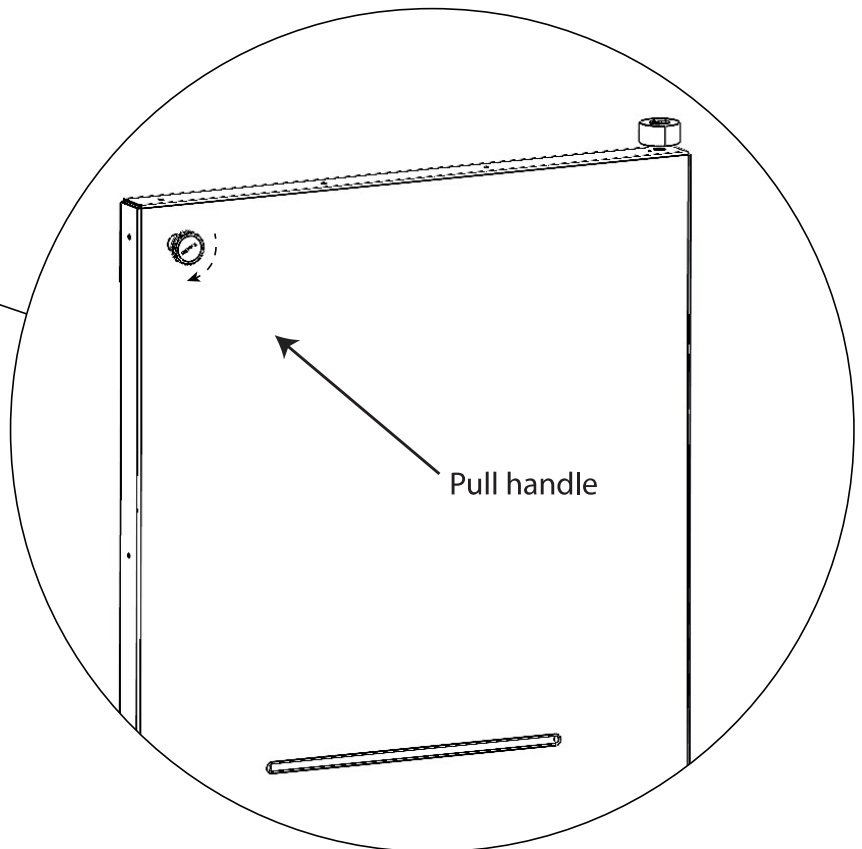
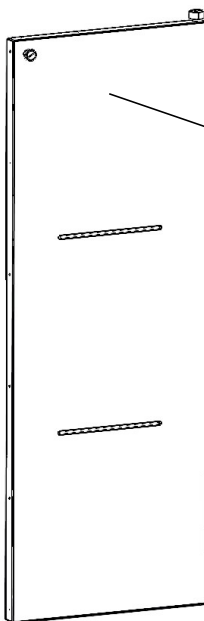


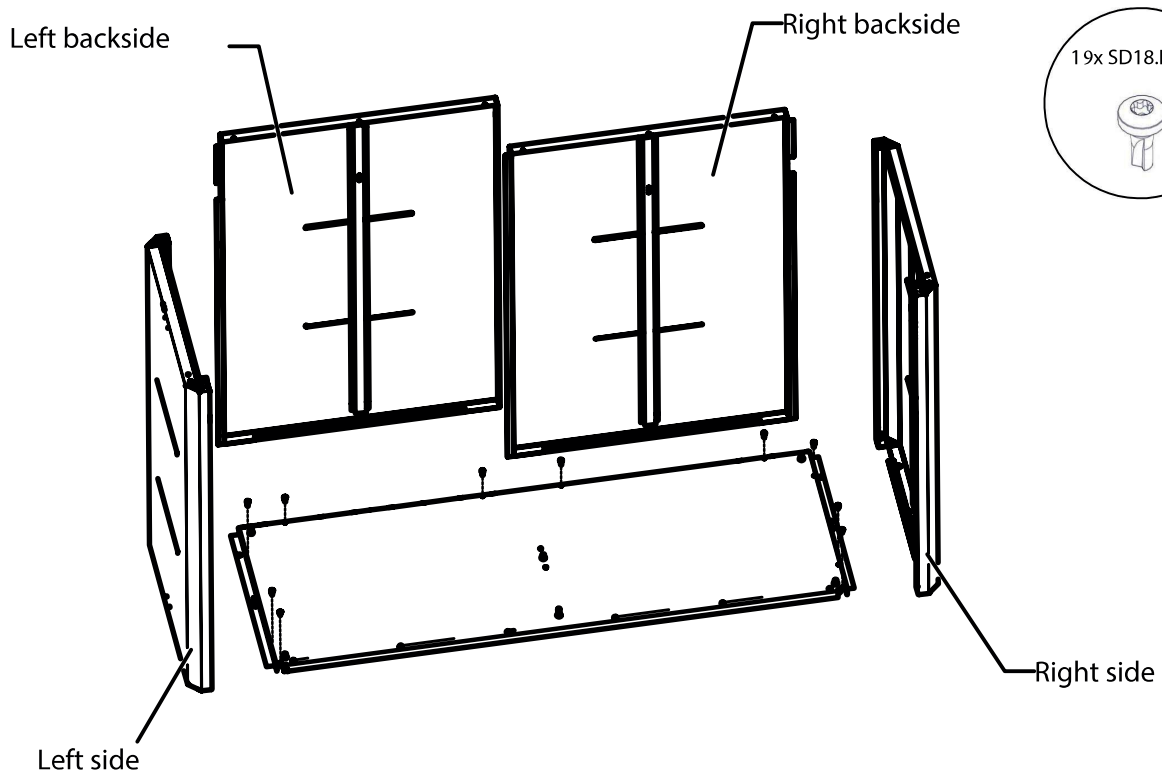
A VELOTTO

Right door inside

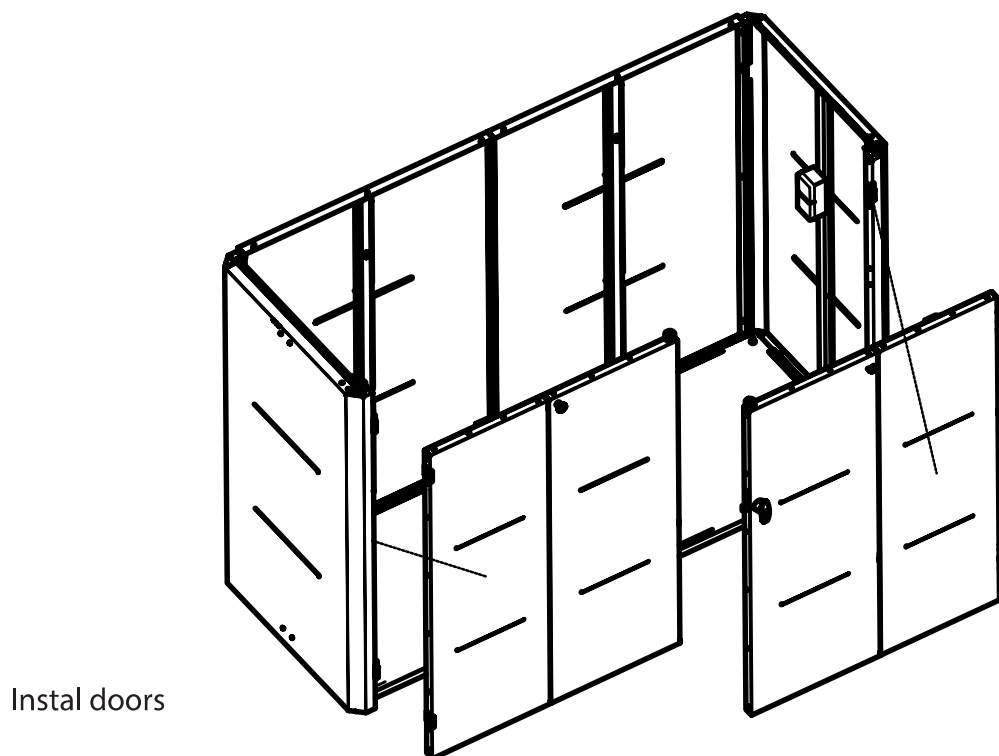


Left door inside



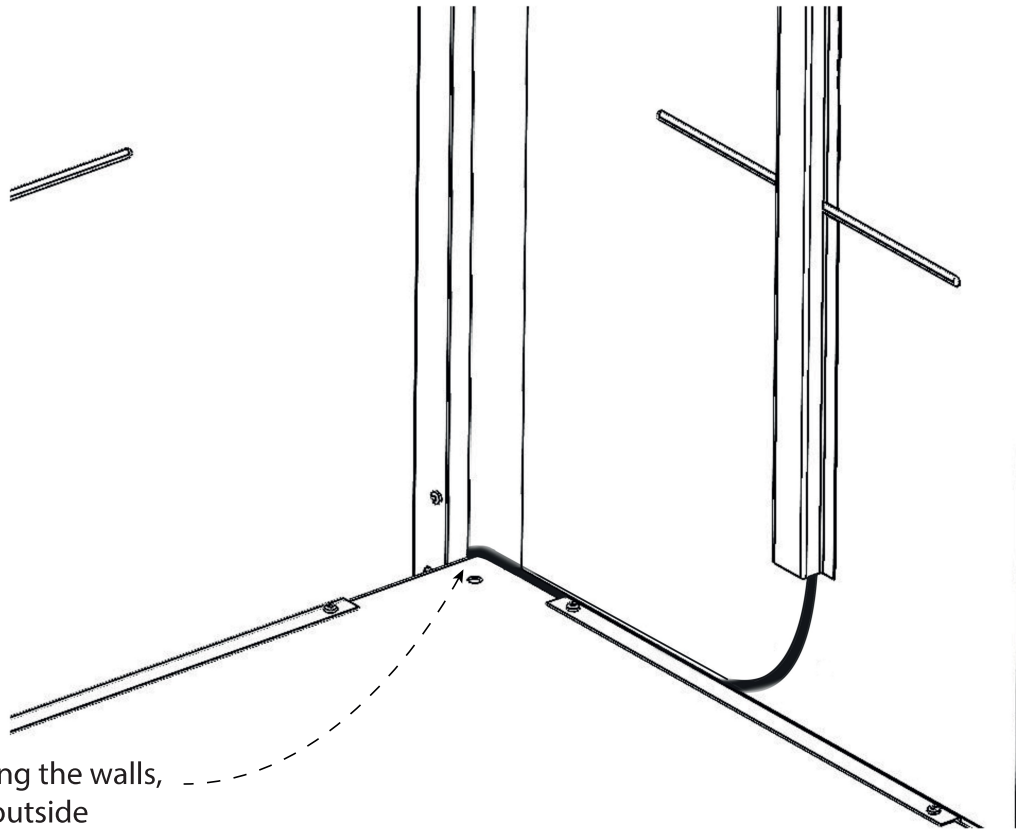


B VELOTTO



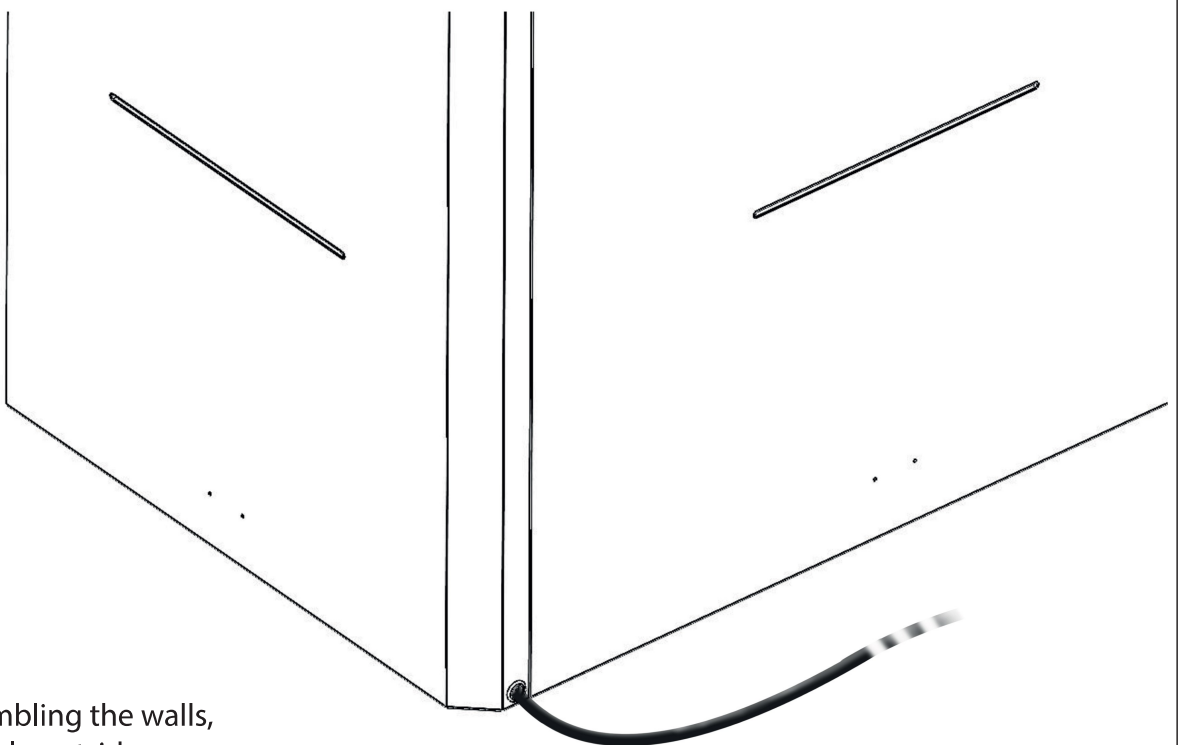
B VELOTTO

VELOTTO



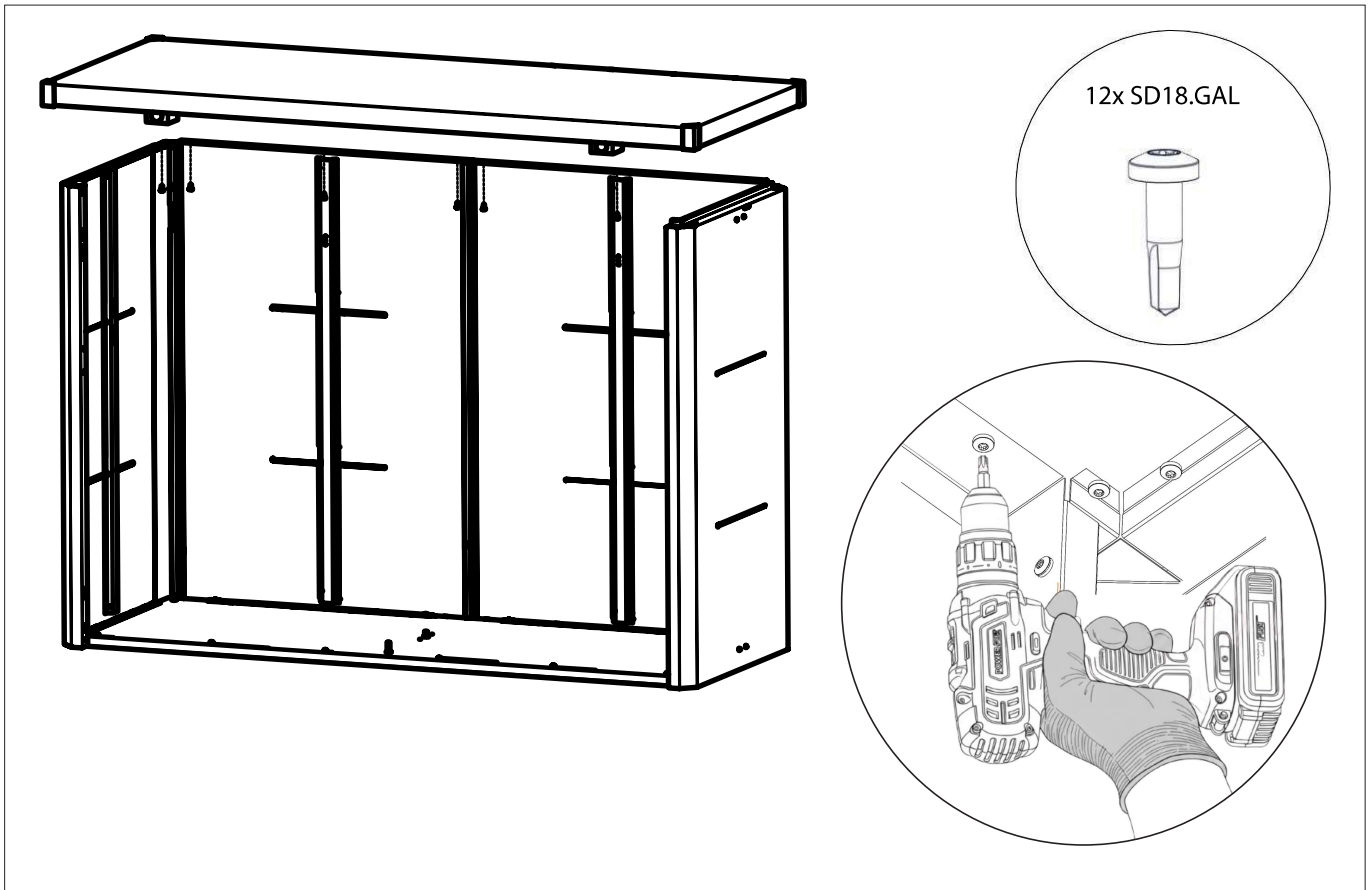
After assembling the walls,
run the cable outside

B VELOTTO

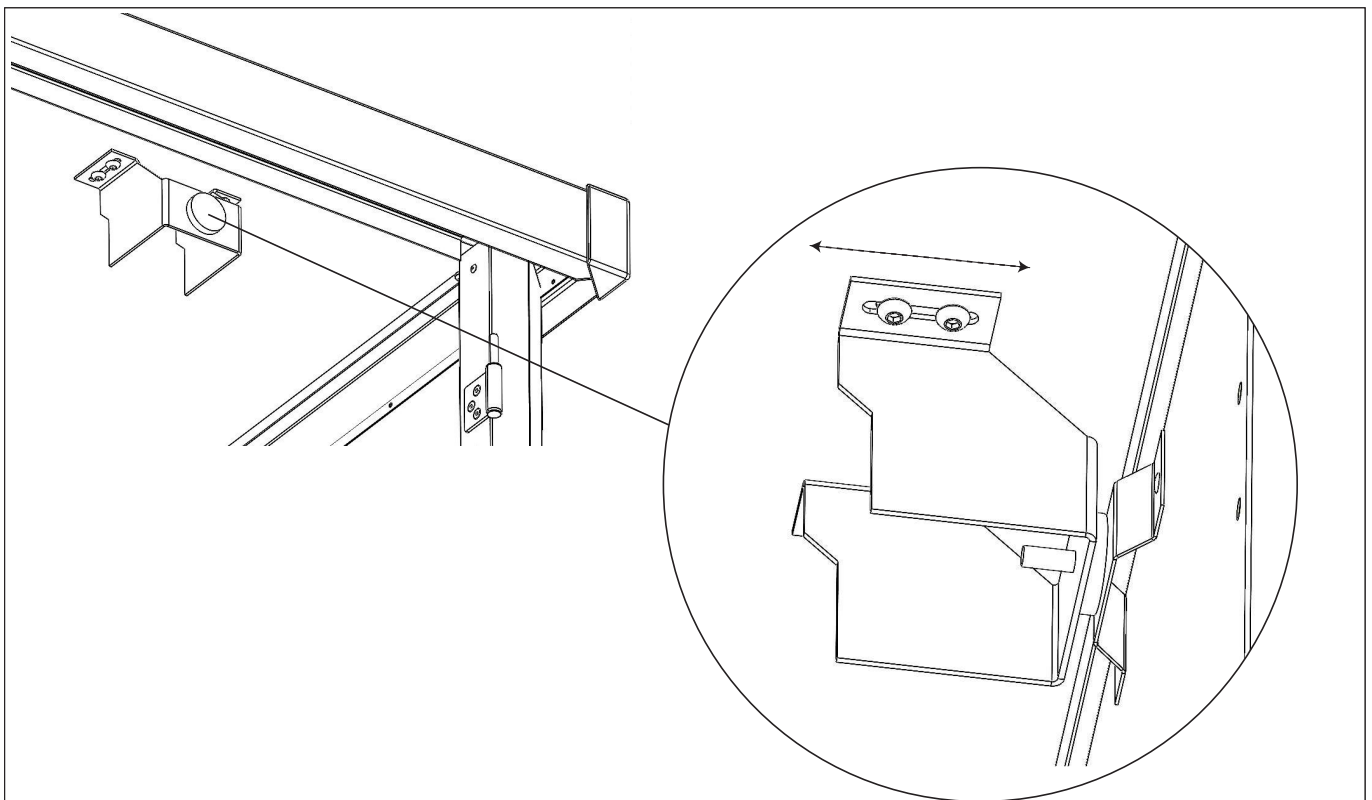


After assembling the walls,
run the cable outside

B VELOTTO



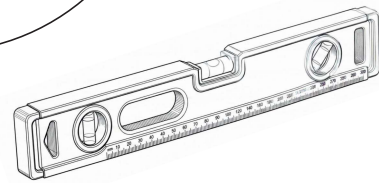
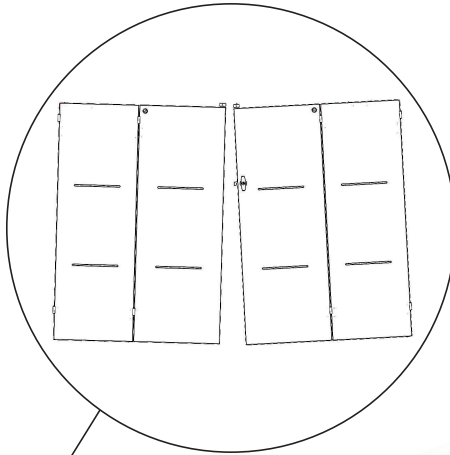
B VELOTTO



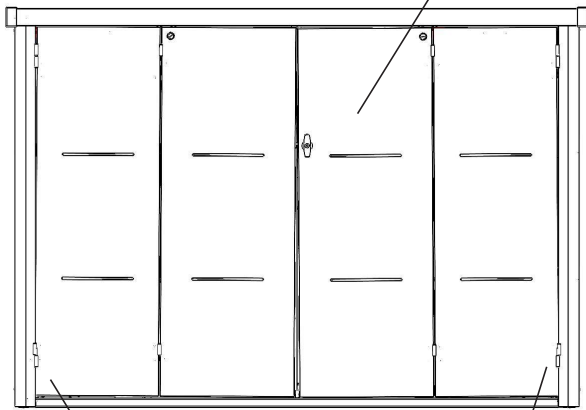
Position the door stoppers so the doors stand straight.

B VELOTTO

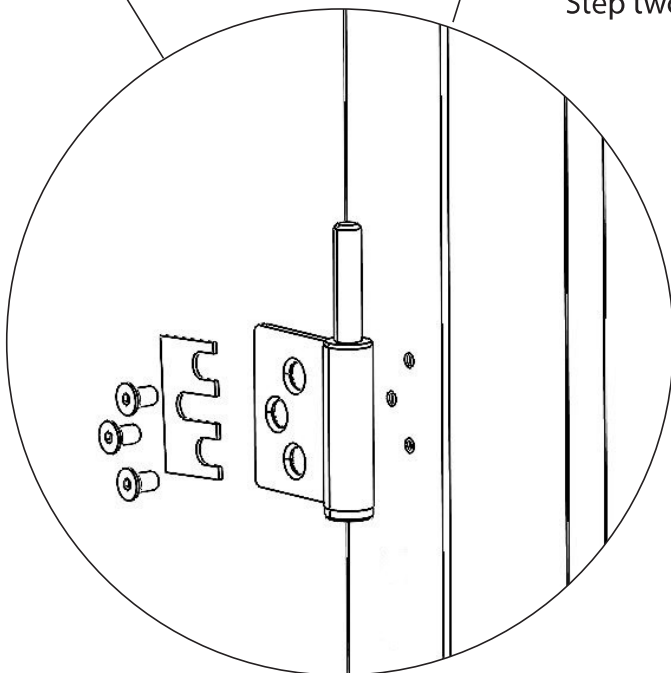
What if the doors are angled?



Step one: always check if construction is level!



Step two: Install the spacer plates behind the hinges.



Instalation video

Velotto installation - NL



Velotto installation - FR



Velotto installation - DE

